

ALUMINUM RATCHET CARGO BAR



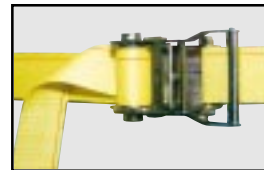
Model CB-7-R

This easy to operate one piece ratchet cargo bar, has articulating foot pads to provide positive grip. The model **CB-7-R** has a service range of 90" to 105". Patent Pending.

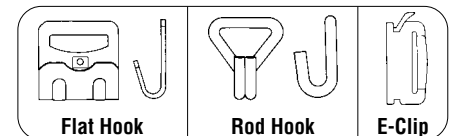


CARGO STRAPPING

Guard against damage from slippage and shifting during transport with the heavy duty Cargo Strapping. Strapping is made of polyester webbing and has working loads to 3,335 lbs. and breaking strengths to 10,000 lbs. Several styles, lengths and fasteners available.



MODEL NUMBER	WEB STRAP	WORKING LOAD (LBS.)	WORKING LENGTH	TIGHTENING MECHANISM	FASTENER
STRAP-12-E	1-3/4"	800	12-1/2'	Self Retracting	E-CLIP
STRAP-12-RE	2"	1,000	12'	Ratchet	E-CLIP
STRAP-12-CE	2"	835	12'	Cam	E-CLIP
STRAP-27-RH	2"	3,335	27'	Ratchet	ROD HOOK
STRAP-27-FH	2"	3,335	27'	Ratchet	FLAT HOOK



STEEL

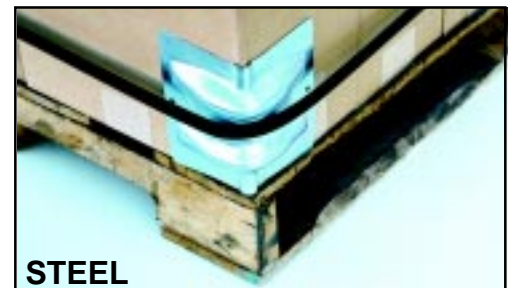
NYLON

PLASTIC

EDGE PROTECTORS

Stabilize loads during shipping and prevent damaged caused by strap cutting with Edge Protectors. Available in steel, nylon, and plastic. These units work well with steel or plastic strapping.

MODEL NUMBER	CONSTRUCTION	WIDTH (2 SIDED)	HEIGHT
EDGE-P	PLASTIC	4"	5-1/4"
EDGE-N	NYLON	4"	5-1/4"
EDGE-S	STEEL	4-1/2"	6"



STEEL



PLASTIC

DURABLE

STRONG

CONVENIENT

ECONOMICAL

PALLET PULLER

Model PAL-2



PLACE AROUND THE FIRST TWO-WAY STRINGER



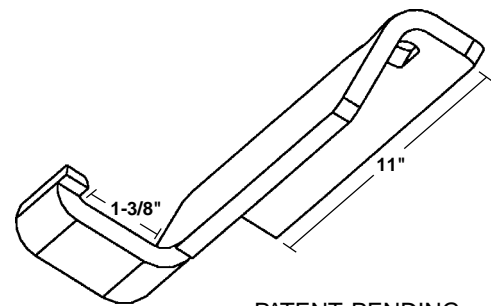
ATTACH PROOF COIL CHAIN (MODEL PPC-20 OR PPC-40)



PULL LOADS UP TO 4,000 LBS. OUT OF TRAILERS

The **PAL-2** is a simple, strong, light weight tool for hooking hard to reach 2-way stringer pallets. Simply slide the Pallet Puller under the upper deck board and place around the first two-way stringer. Pull back on the Pallet Puller to lock in place with positive grip. Attach the puller to the fork truck with a proof coil chain (model **PPC-20** or **PPC-40**).

The **PAL-2** is rated to pull a 4,000 lb. wooden pallet across a smooth truck floor. Do not use for lifting.



PATENT PENDING

2-1/4" LOW PROFILE DESIGN

REDUCE FREIGHT DAMAGE

INCREASE TRAILER LOAD

PROTECT DELICATE FREIGHT

PALLET CARGO DECKING

Model PCD-92

WOOD DECK



DOUBLE TRAILER CAPACITY AVAILABLE

Protect fragile freight with Pallet Cargo Decking. The Single Bunk, model **PCD-92**, measures 92" wide x 57" high x 48" deep. Double Tiers with and without solid sides/backs are available. Uniform load capacity is 5,000 lbs.



Vestil Manufacturing Company
P.O. Box 570
Angola, IN 46703
Ph. (219)665-7586
Fax (219)665-1339
E-mail: vestil@dmci.net
Website: www.vestil.com

Distributed By: