

## Fork Mounted & Pallet Jack Loadable

# CYLINDER CADDIES

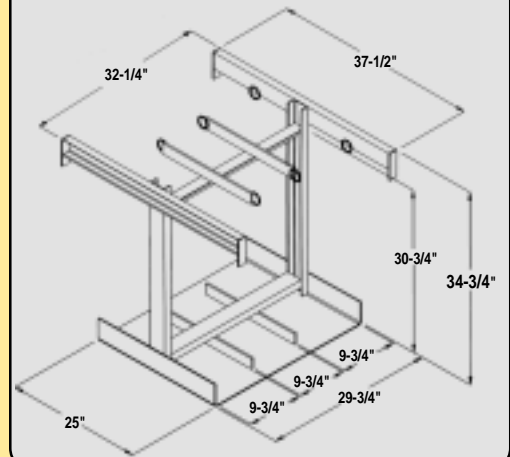


MODEL  
**CYL-190**

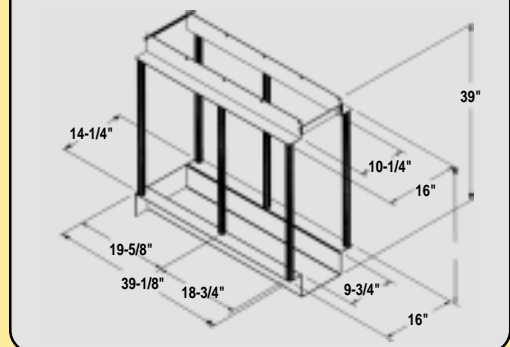
Transport cylinders safely with these fork mounted or pallet jack style cylinder caddies. These units can hold anywhere from 2 to 6 cylinders and come complete with safety chains to secure cylinders in place. Made of all steel construction, these units hold cylinders up to 9-1/2" in diameter.

MODEL NUMBER	DESCRIPTION	NUMBER OF CYLINDERS
CYL-190	FORK TRUCK MOUNTED CYLINDER HOLDER	6
PJ-CYL-2	PALLET TRUCK CADDIE HOLDER	2
PJ-CYL-4	PALLET TRUCK CADDIE HOLDER	4
TANK-W	TANK WRENCH	--
CYL-CSTR	CASTERS OPTION FOR THE CYL-190	--

Model CYL-190



Model PJ-CYL-4



## SINGLE CYLINDER CONTAINMENT PRODUCTS

Keep cylinders safe with Single Cylinder Containment Products. Available in adjustable, bench mounted, wall mounted and dolly/stand holders. Holds cylinders up to 9-1/2" in diameter. The Cylinder Dolly/Stand includes two 3" wheels for easy portability. The Wall Mounted Holders include a chain and nylon strap to secure the cylinder for added safety.



Wall Mounted  
Model CYL-WM



The Cylinder Dolly/Stand has two interlocking halves which can be installed without lifting the cylinder.  
Model CYL-DS

MODEL NUMBER	DESCRIPTION
CYL-WM	WALL MOUNTED CYLINDER HOLDER
CYL-DS	CYLINDER DOLLY/STAND
CYL-AS	ADJUSTABLE CYLINDER STAND (7" TO 9-1/4")
CYL-BM	BENCH MOUNTED CYLINDER HOLDER



Adjustable Cylinder Stand  
Model CYL-AS

# GALVANIZED CYLINDER STORAGE CABINETS

**HORIZONTAL**

**VERTICAL**

**COMBINATION**



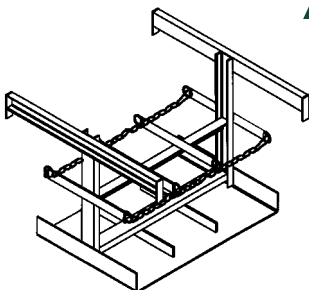
Series

## CYL-T

Store cylinders of all sizes in these heavy duty Cylinder Storage Cabinets. Made of all steel construction, this rust resistant unit has steel angle frames, 8 gauge galvanized welded wire and a 12 gauge galvanized steel roof. The galvanized rust resistant finish stands up to harsh indoor and outdoor environments. Units can hold 4, 8, or 16 units horizontally / 10 or 20 units vertically. Features a padlock hasp for security (padlock not included), "Danger Flammable Material" sign, and all necessary anchoring hardware. Meets OSHA 1910.110 requirements. Assembly required.

	MODEL NUMBER	STORAGE CAPACITY	SIZE W x D x H	WEIGHT (pounds)
<b>HORIZONTAL</b>	CYL-T-4	4 Horizontal	29" x 29" x 40"	66
	CYL-T-8	8 Horizontal	29" x 29" x 66"	130
	CYL-T-16	16 Horizontal	58" x 29" x 66"	240
<b>VERTICAL</b>	CYL-T-10	10 Vertical	29" x 29" x 66"	100
	CYL-T-20	20 Vertical	58" x 29" x 66"	180
<b>COMBINATION</b>	CYL-T-COMBO	8 Horizontal 9 Vertical	58" x 29" x 66"	210

# FORK TRUCK LP TANK STORAGE



Model **LP-170**

- Made of all steel construction
- Holds up to 6 LP tanks that are up to 12" in diameter
- Safety chains to hold the tanks in place
- Caster Option Available

MODEL NUMBER	STORAGE CAPACITY	SIZE W x L x H	ACCOMMODATES LP TANKS
LP-170	6 VERTICAL	27"W x 31"L x 29"H	12"D x 24"H



**Vestil Manufacturing Company**

P.O. Box 570  
 Angola, IN 46703  
 Ph. (219)665-7586  
 Fax (219)665-1339  
 E-mail: [vestil@dmci.net](mailto:vestil@dmci.net)  
 Website: [www.vestil.com](http://www.vestil.com)

**Distributed By:**